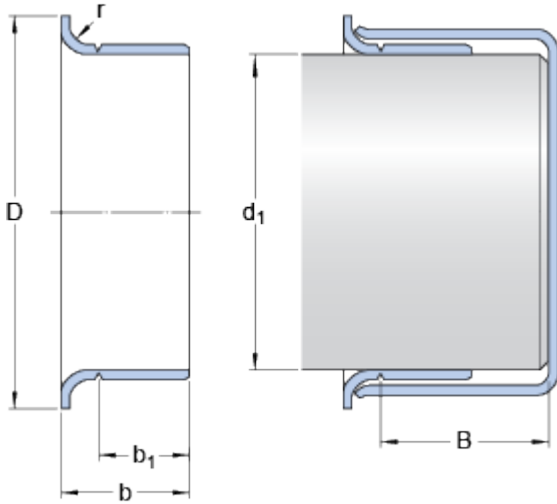


# 99832

Design

SKF Speedi-Sleeve Gold

## Dimensions



### Nominal dimensions

$d_1$		47.625	mm
D		55.956	mm
Tolerance outside diameter D	$\pm$	1.6	mm
b		17.475	mm
Tolerance width b	$\pm$	0.8	mm
$b_1$		14.3	mm
Tolerance width $b_1$	$\pm$	0.8	mm
B	max.	25.4	mm
r	max.	3.18	mm

### Shaft diameter range

$d_1$	min.	47.549	mm
$d_1$	max.	47.701	mm